

# Linea 16K Camera Link

Monochrome CMOS Line Scan Cameras



## Key Features

- High speed: up to 48 kHz
- 16,384 pixel resolution
- Low cost and compact
- Camera Link™ interface

## Programmability

- Multiple regions of interest and areas of interest for calibration and data reduction
- 8 or 12 bit output, selectable
- Smart flat field and lens shading correction
- 8 programmable coefficient sets

## Typical Applications

- Automated optical inspection
- Security systems
- High performance sorting systems
- Materials grading and inspection systems
- Web inspection
- General purpose machine vision

## Regulatory Compliance

- CE, FCC and RoHS

## High Performance, Low Cost

The new Linea™ line scan camera delivers the exceptional performance and features found in Teledyne DALSA's current lineup of high-end cameras at an unprecedented price point.

Based on the most advanced CMOS line scan technology, the camera employs a 16k single line  $3.5 \mu\text{m} \times 3.5 \mu\text{m}$  pixel array at a 48 kHz maximum line rate. With excellent sensitivity and speed, Linea surpasses the requirements of demanding applications—such as materials grading and inspection, transportation safety, and general purpose machine vision.

Linea is a compact, light weight and robust camera with many attractive features, including flat-field correction, multiple ROI and AOI, multiple user configuration sets, and calibration coefficients for various lighting conditions.

GenICam™ compliant Linea is easy to set up and integrate using a GUI, such as Teledyne DALSA's Sopera™ camera configuration utility CamExpert.

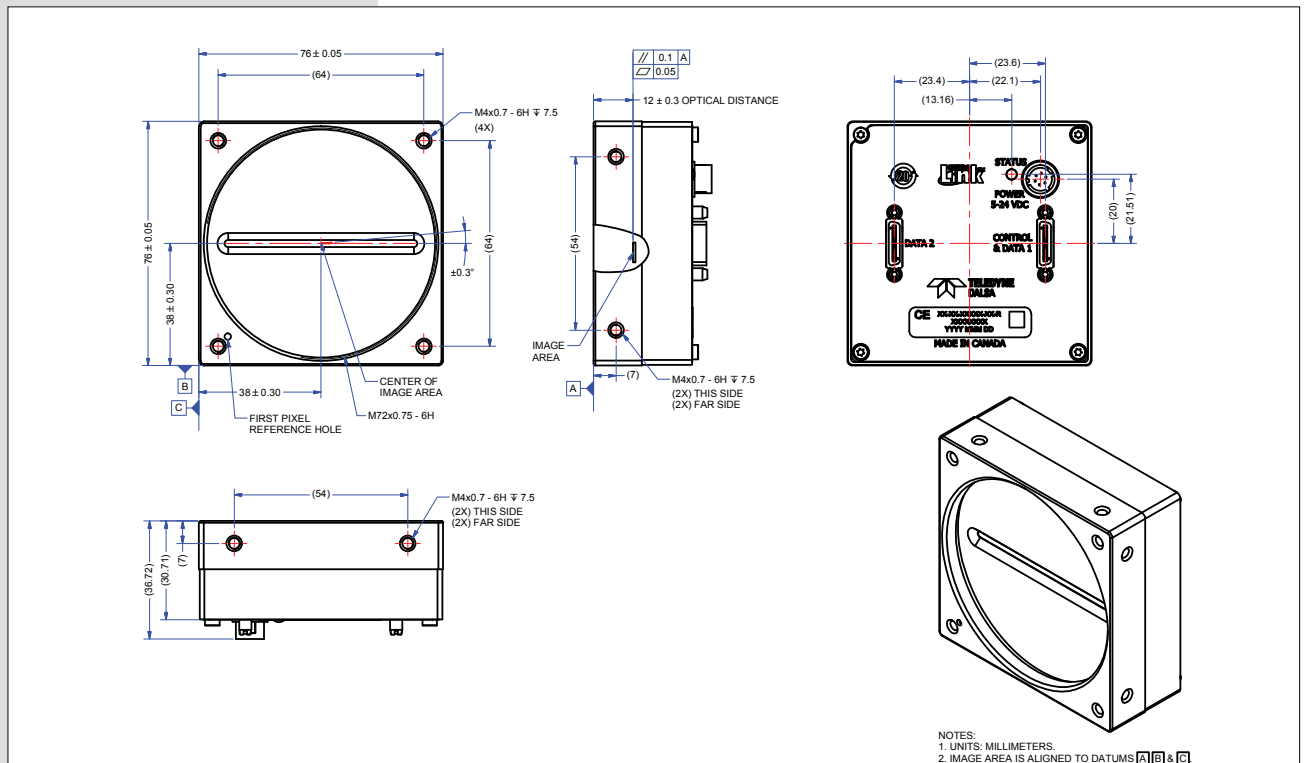
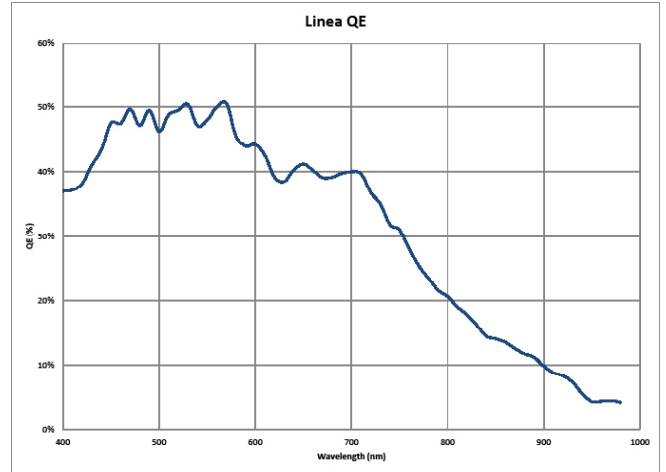
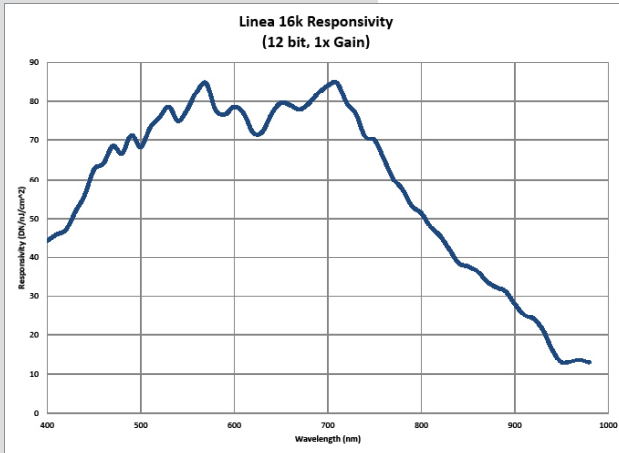
## Specifications

Resolution	16,384 pixels
Line Rate	48 kHz, maximum
Pixel Size	$3.5 \mu\text{m} \times 3.5 \mu\text{m}$
Data Format	8 or 12 bit selectable
Output	Base, Medium, Full, and Deca Camera Link
Lens Mount	M72 x 0.75, F-mount adapter available
Responsivity	80 DN / (nJ / cm <sup>2</sup> ) in 12 bit @ 1x gain
Dynamic Range	> 60 dB
Nominal Gain Range	1x to 10x
Size	76.0 mm x 76.0 mm x 36.72 mm
Mass	< 360 g
Operating Temp	0 °C to +65 °C (front plate)
Power	+12 V to +24 V DC, Hirose 6-pin
Power Dissipation	< 11 W
Control & Data	SDR-26 mini Camera Link

Models			
Part Number	Resolution	Maximum Line Rates	Pixel Size
LA-CM-16K05A-00-R	16,384	48 kHz	$3.5 \mu\text{m} \times 3.5 \mu\text{m}$

# Linea 16K Camera Link

Monochrome CMOS Line Scan Cameras



[www.lotsmv.com](http://www.lotsmv.com)