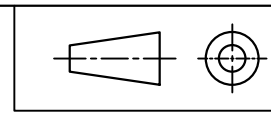
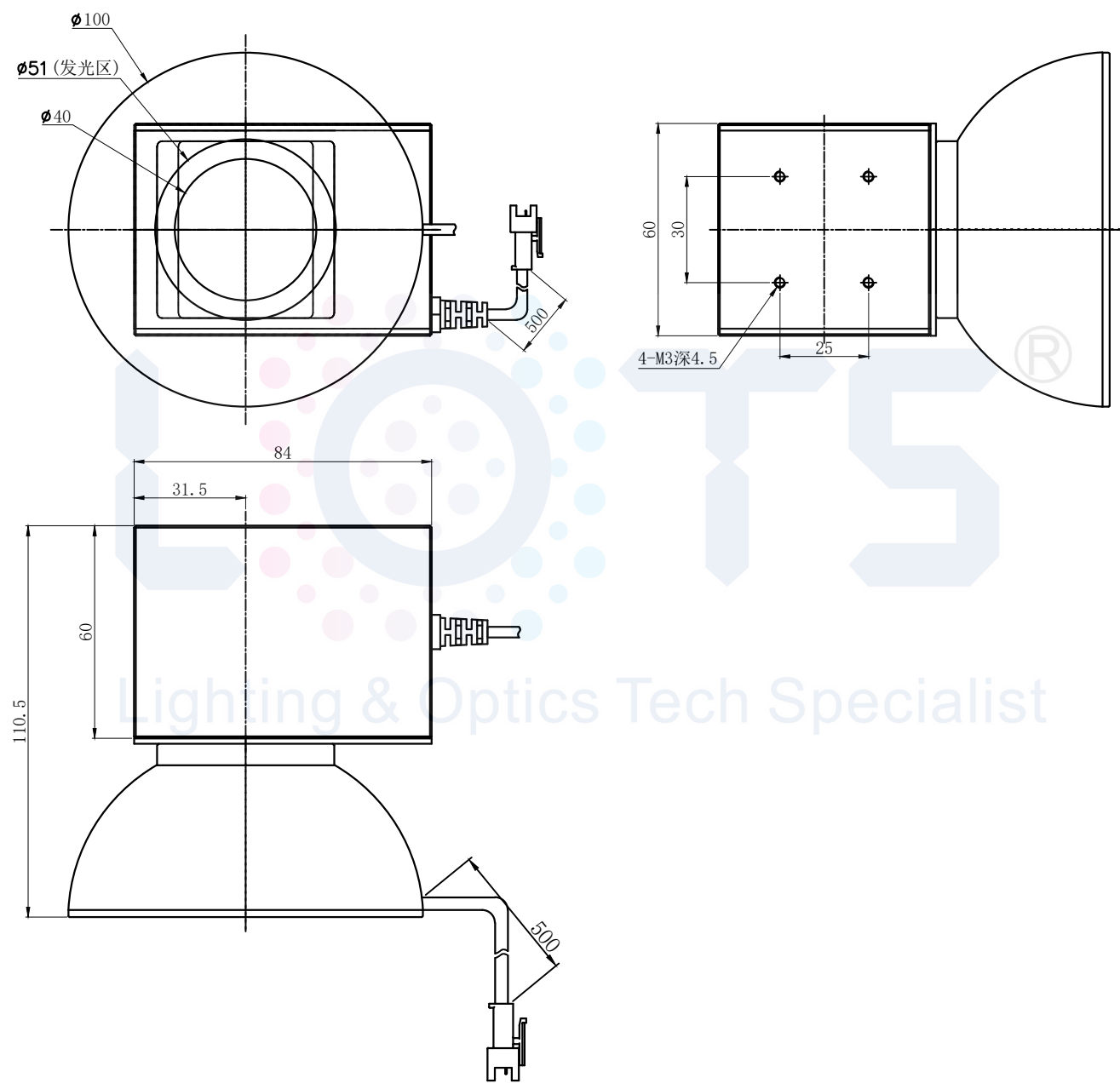


# LTS-3CODM10050



产品型号	LTS-3CODM10050
LED发光色	R(红)/W(白)
输入电压	DC 24V(max)
消耗功率	/
电缆极性	1:+、2:NC、3:-



Copyright 2011~2020 LOTS. All rights reserved. Reproduction or photocopy without permission is prohibited.